

## GROWCAMP - RAISED BED / 30

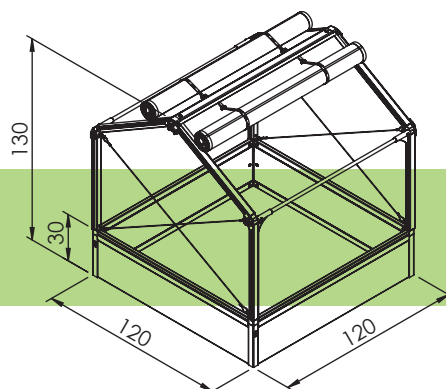


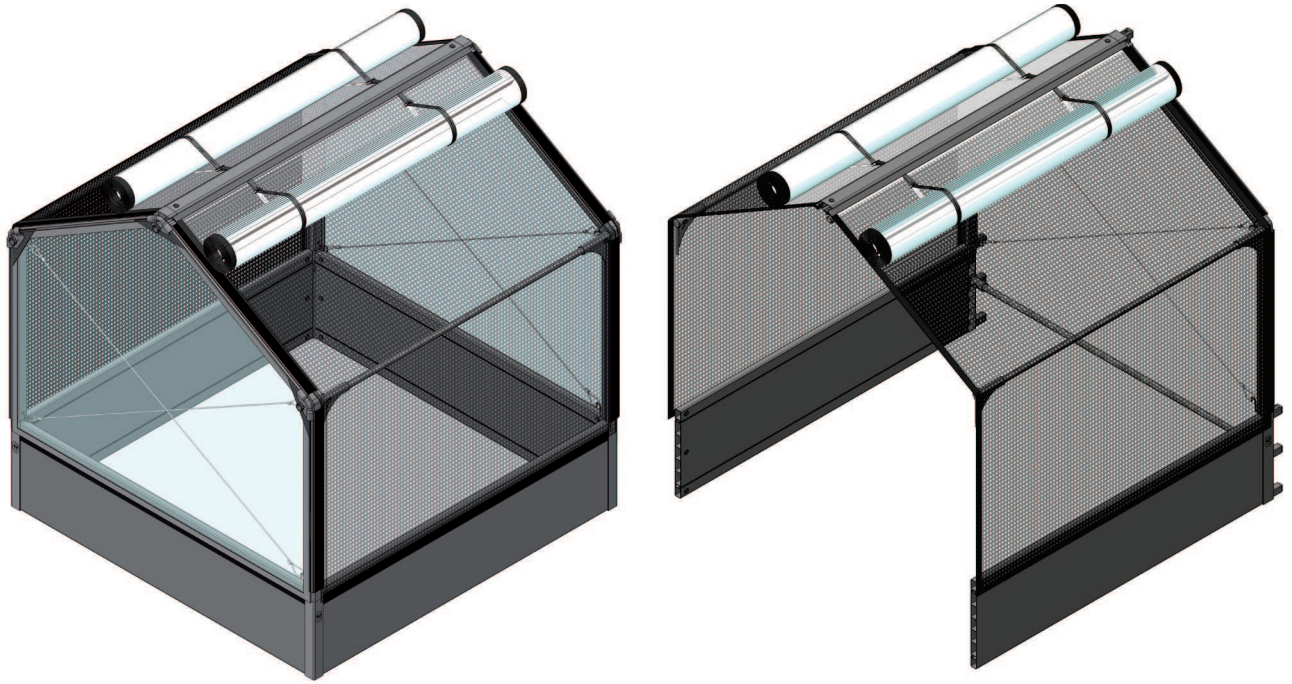
### *GrowCamp with 30 cm frame*

With the GrowCamp 30 cm raised bed soil does not get compacted since no one is walking between the plants so your plants can be spaced closer together. The protective environment contributes to making the vegetables crisp and delicious as opposed to stringy and coarse.

The perfect surroundings to grow your herbs and vegetables.


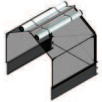

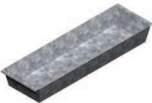
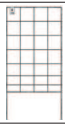

Easy to assemble.





The 25 mm plastic profiles have UV protection. Corner posts and upper frame are made of strong plastic. All materials are weather resistant. The grow tent is designed for harsh outdoor conditions and is able to withstand even very strong wind impacts.

## GrowCamp Raised Bed with 30 cm Frame

Product	Item Number	Description	Product Size/cm
	FC3050	BASIC UNIT Raised bed with 30 cm frame  <i>Including superstructure with protection net and insulation plastic cover</i>	LxWxH 120x120x130
	FC3055	EXTENSION UNIT Extension module for the basic unit with 30 cm frame  <i>Including superstructure with protection net and insulation plastic cover</i>	LxWxH 120x120x130
	FC4276	GrowTray incl. capillar matting  The propagation tray for all GrowCamps	LxWxH 120x36x6,5
	FC3800	GrowTrough, galvanized steel  With drainhole, makes it easy to change the soil	LxWxH 120x36x15
	FC4260	GrowNet, galvanized steel 45 pcs. in a box  Supporting highly growing crops	WxH 38,5x80
	FC4300	Capillar matting Extra mattings for the FC4276  2 pcs. in each bag. 12 bags in a box	LxW 118x35

